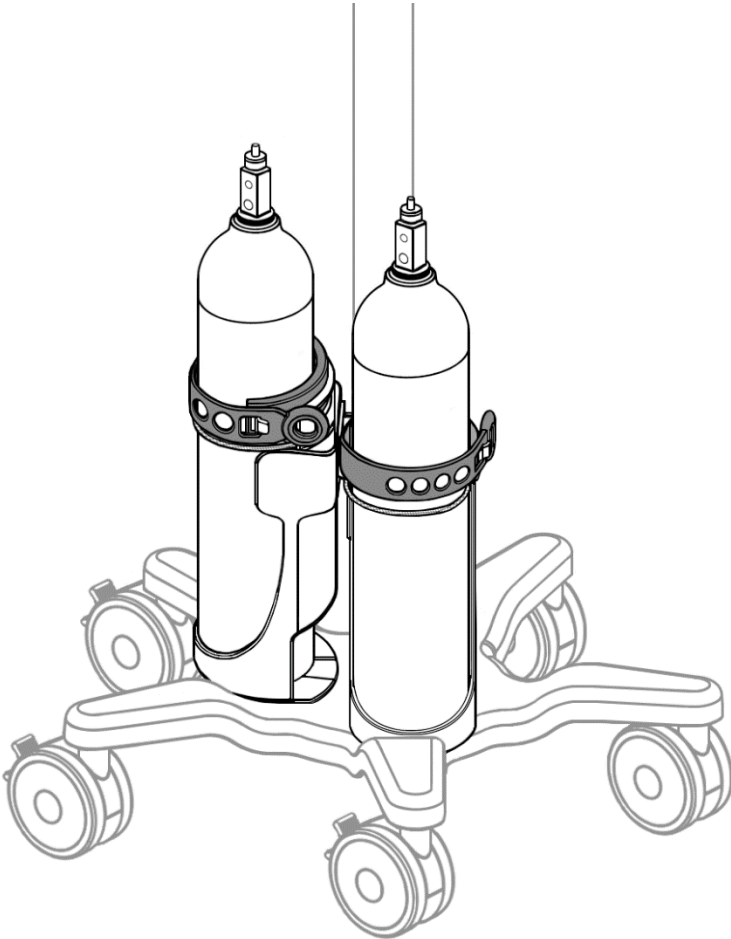
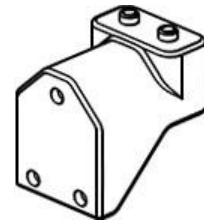


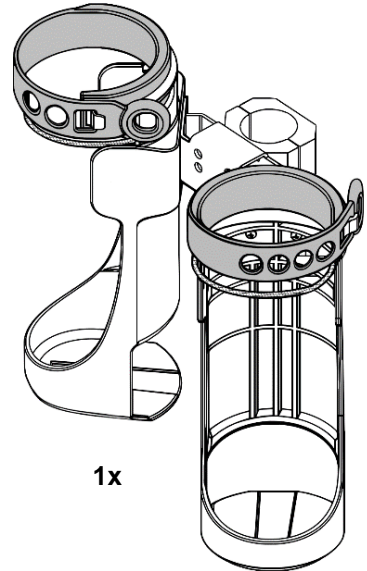
Dual E-Cylinder Mount for SPRS-2 Roll Stand



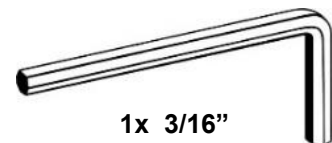
REF 1131463 / NP-2008-03-0001



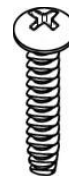
1x



1x



1x 3/16"

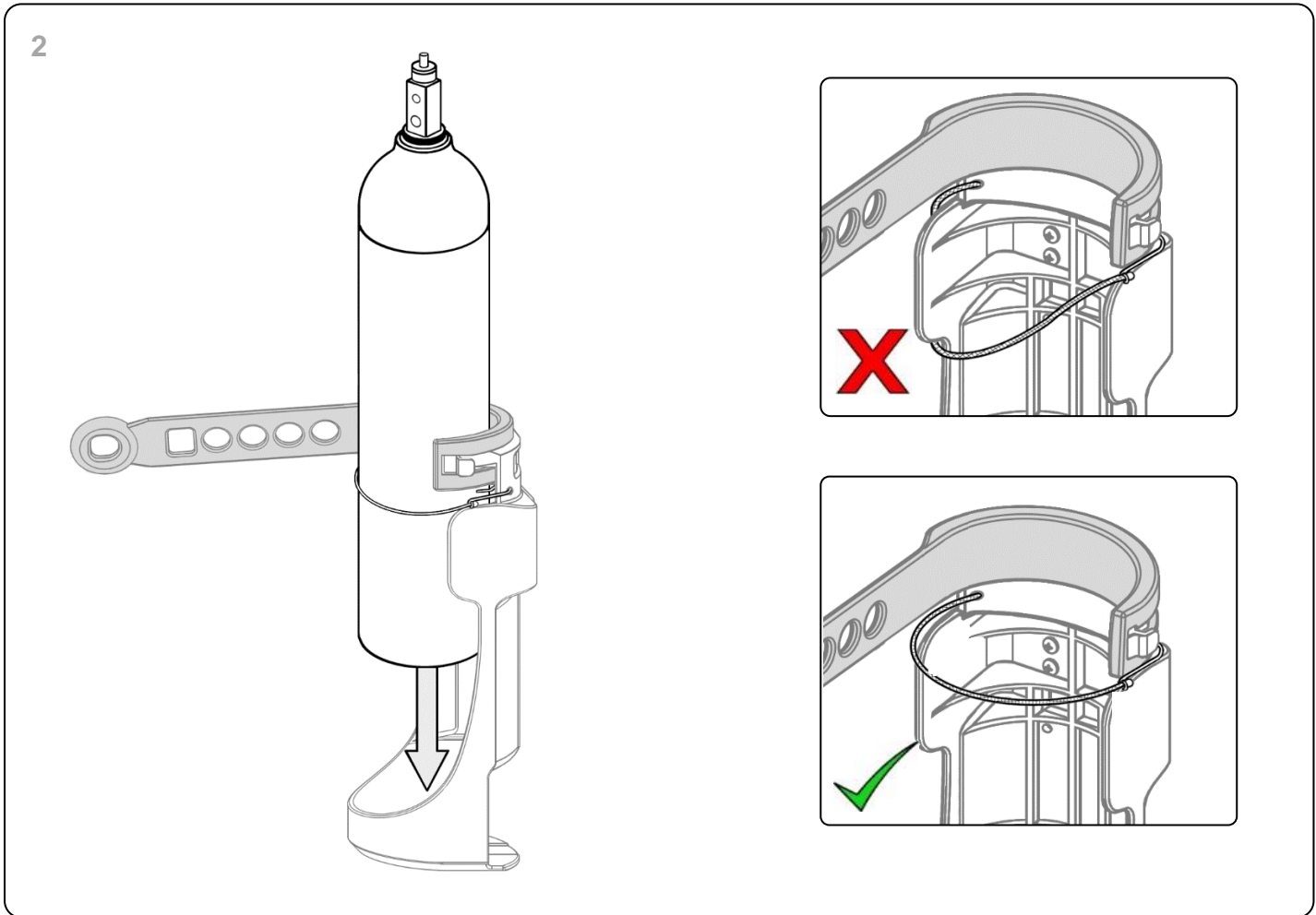
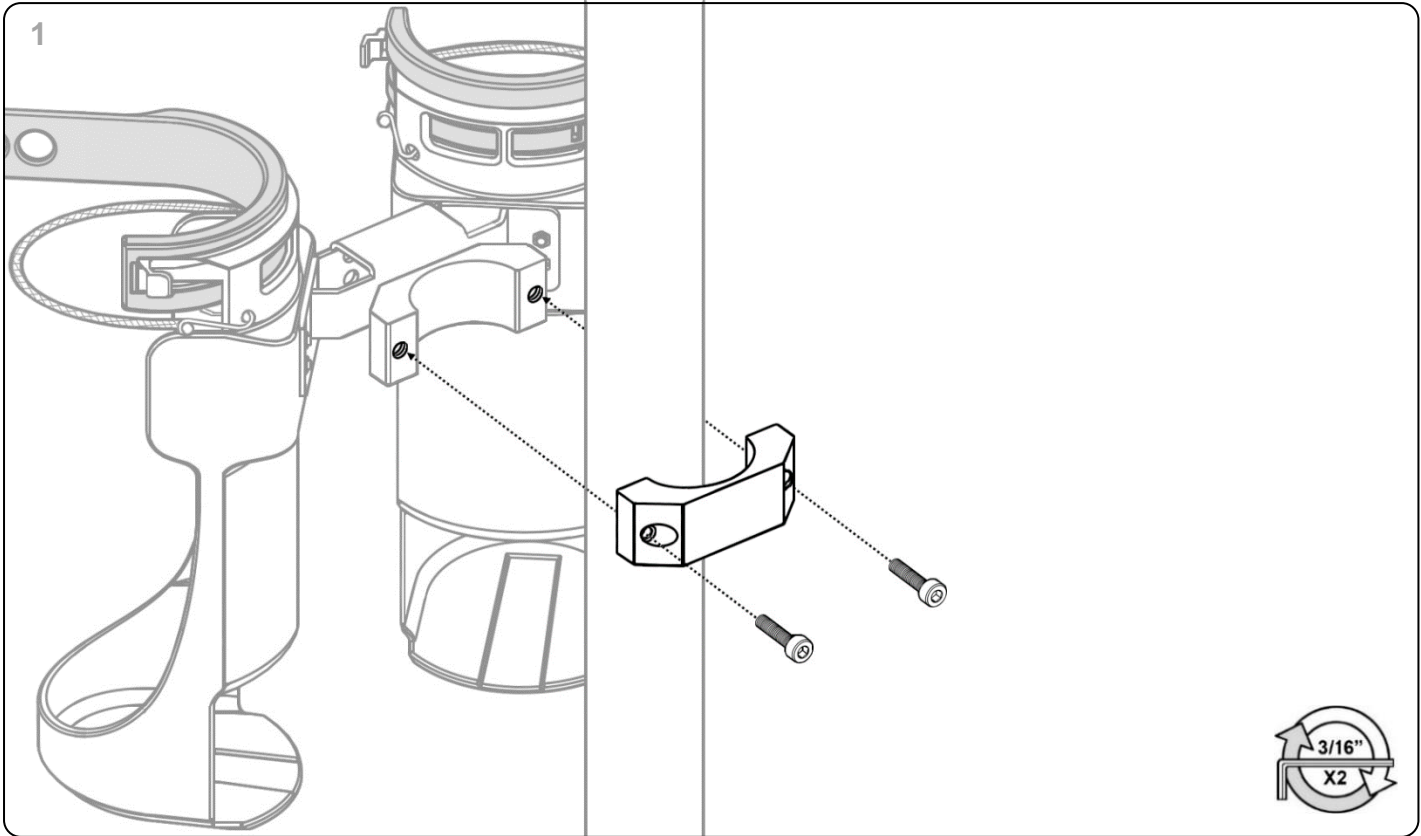


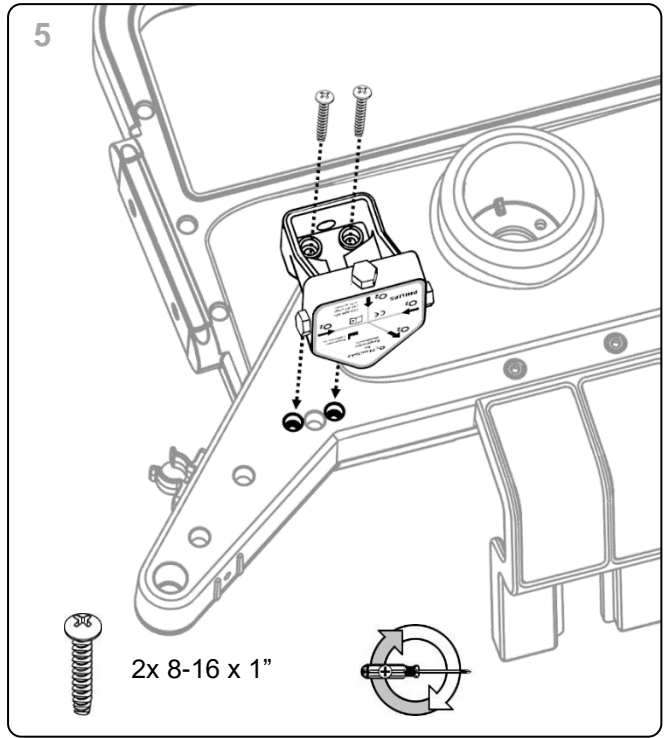
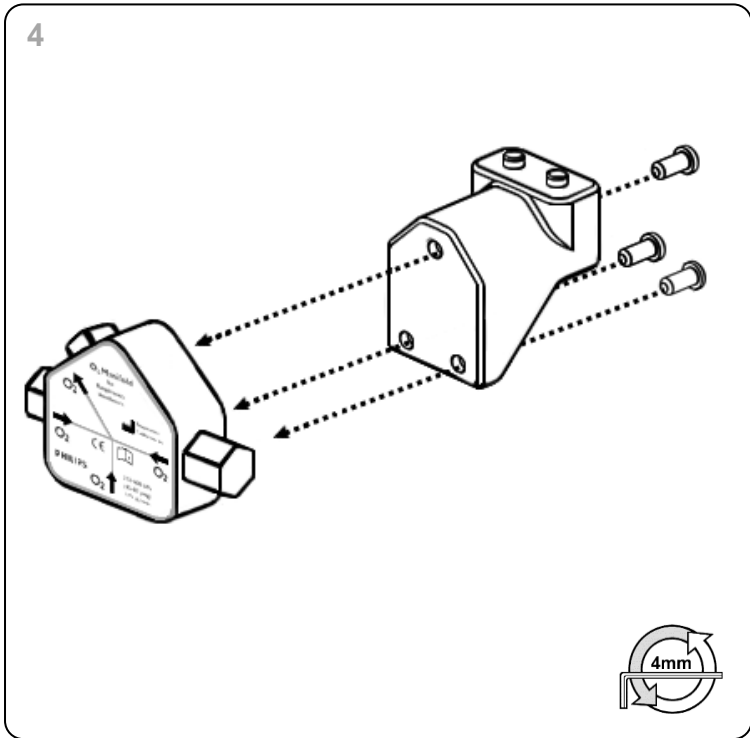
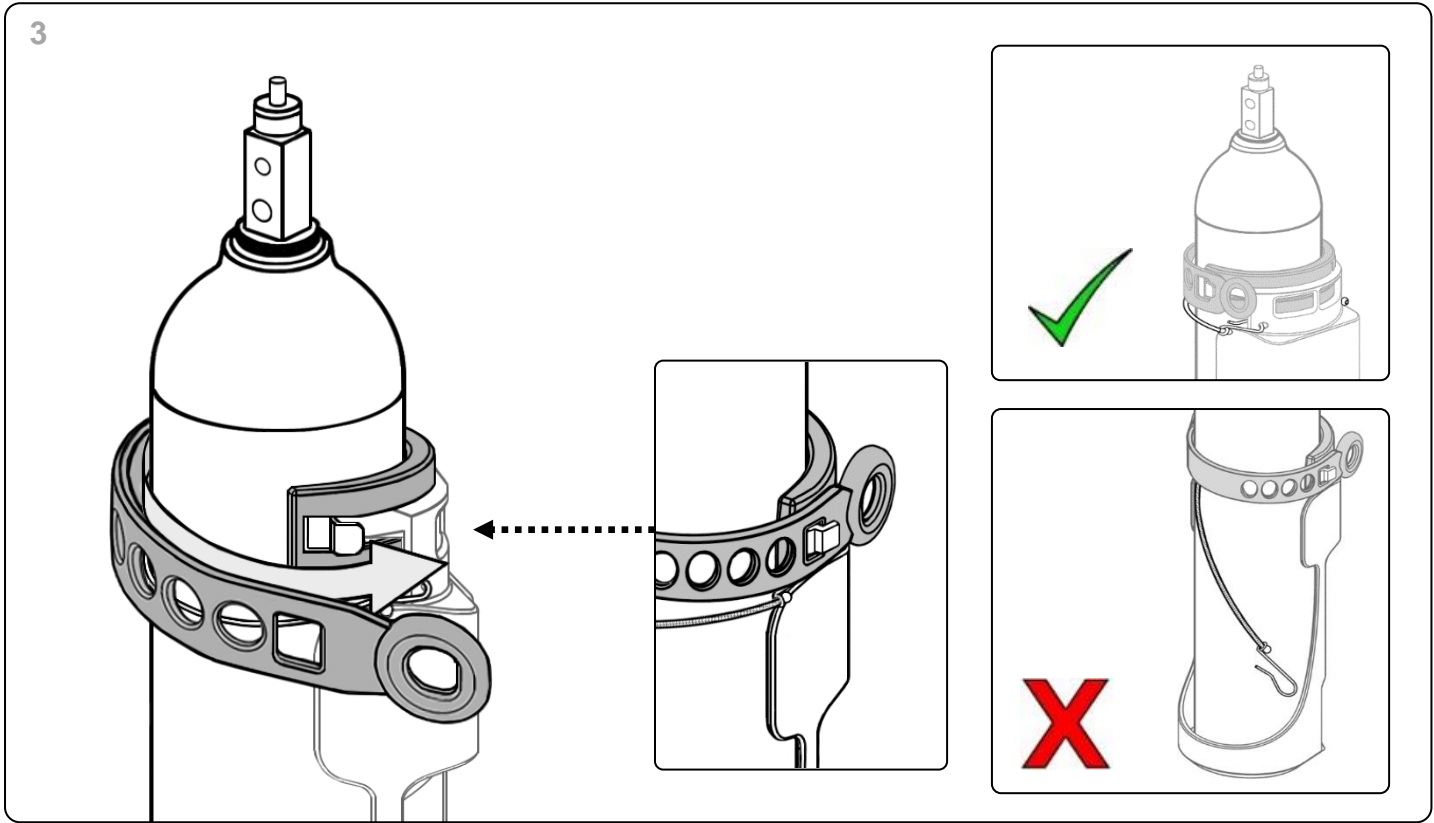
2x 8-16 x 1"

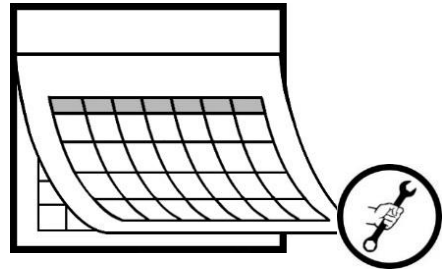
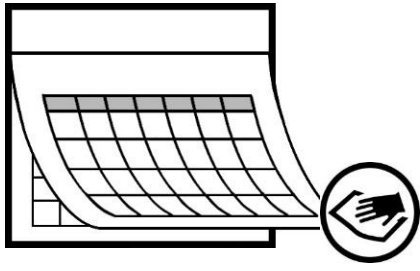
 Interplex (Suzhou) Precision Engineering Ltd.
21 Lou Yang Street, CSS Industrial Park Suzhou, Jiangsu
Province, P.R. China 215122
rollstand@interplex.com
www.interplex.com



Interplex Soprec SAS
6 Rue Thalès, ZI La Maltière,
25410 Dannemarie sur Crête,
France







Cleaning and Maintenance Guidelines
<https://www.interplex.com/ifu>