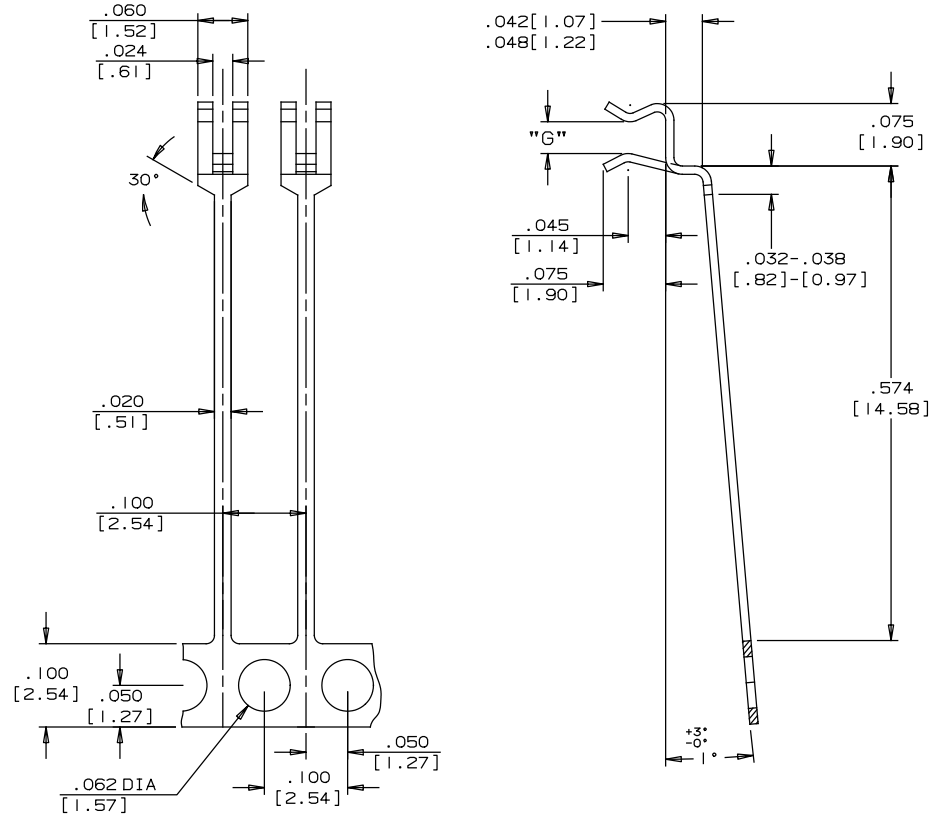


.100 [2.54] PITCH

DUAL INLINE PACKAGES

www.interplexnas.de | www.interplex.com/NAS



SELECT SPECIFIC OPTIONS TO DETERMINE ORDERING CODE:

TYPE	PITCH (P)	DRWG. NO.	SOLDER LOCATION	GAP (G)	SOLDER TYPE	SOLDER STOP	STAND OFF (SO)	MATERIAL/ PLATING	STANDARD ORIENTATION
A = DIP	A = .100[2.54]	14AC	0 = No Solder	38 = .038[0.965]	See Chart on Page 9	0 = No Stop S = Stop	X = See Drawing	E = Phosphor Bronze Pre-Plated 100% Sn K = Phosphor Bronze Post-Plated 100% Sn C = Phosphor Bronze Pre-Plated Sn60/Pb40 H = Phosphor Bronze Post-Plated Sn60/Pb40	D = Winding (DD)

CODE:

--	--	--	--