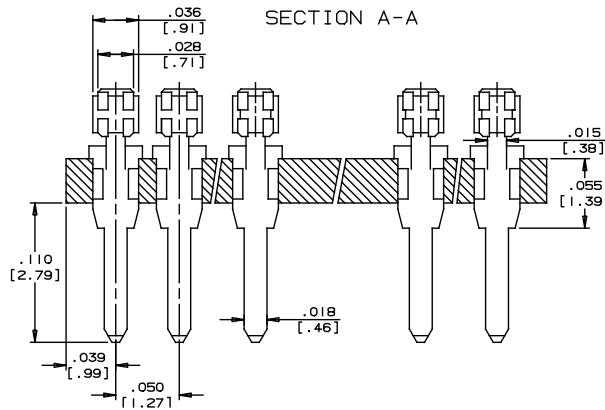
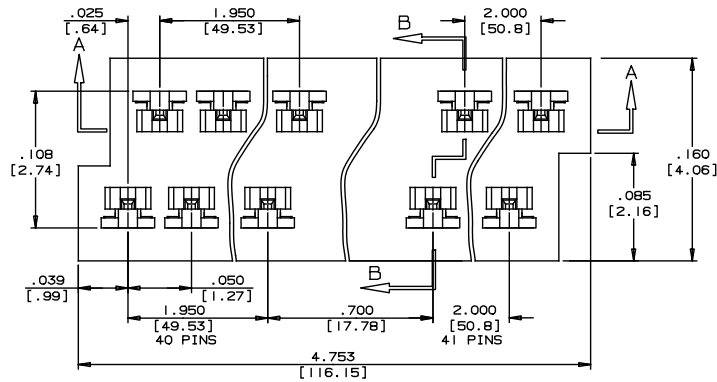
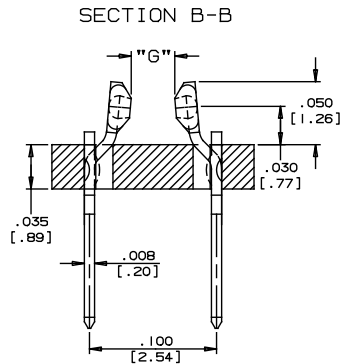


81 X 2 = 162 PINS



www.interplexnas.de | www.interplex.com/NAS

SELECT SPECIFIC OPTIONS TO DETERMINE ORDERING CODE:

| TYPE | PITCH (P) | DRWG. NO. | SOLDER LOCATION | GAP (G) | SOLDER TYPE | SOLDER STOP | STAND OFF (SO) | MATERIAL/ PLATING | STANDARD ORIENTATION |
|---------|----------------|-----------|-----------------|------------------------------------|---------------------|-------------------------|----------------|---|----------------------|
| E = DRI | C = .050[1.27] | 1419 | D = Double | 44 = .044[1.12] 56 = .056[1.42] | See Chart on Page 9 | O = No Stop S = Stop | O = None | C = Phosphor Bronze Pre-plated 60/40 Tin Lead Finish E = Phosphor Bronze Pre-Plated 100% Sn Plastic = Celanese For- tron 1140-L4 Color Black | N/A |

CODE:

| | | | |
|--|--|--|--|
| | | | |
|--|--|--|--|