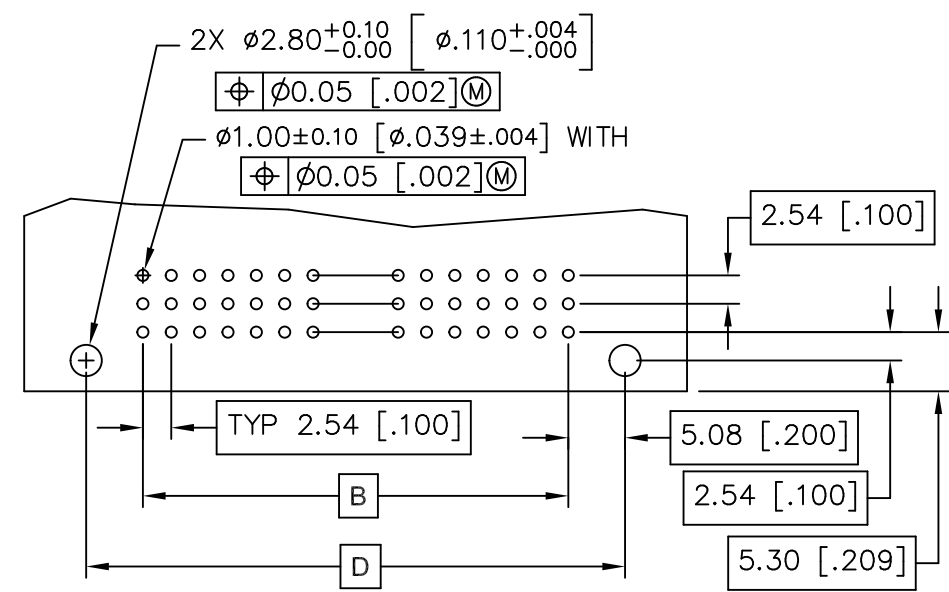
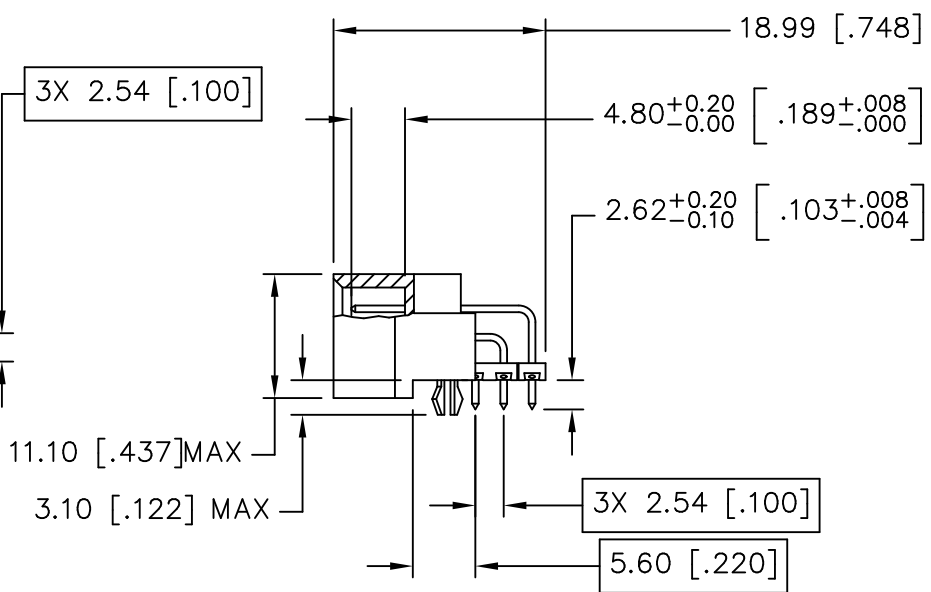
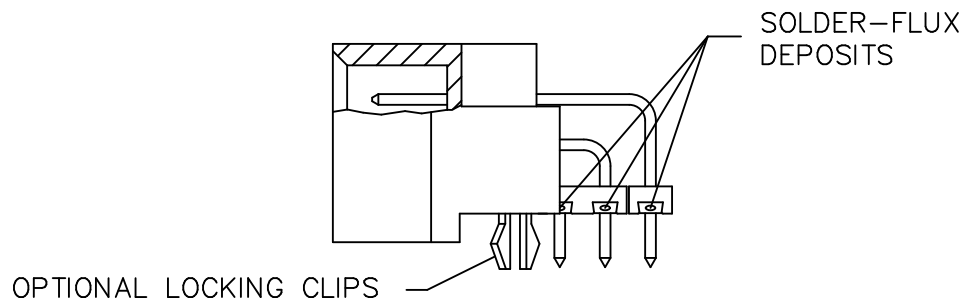
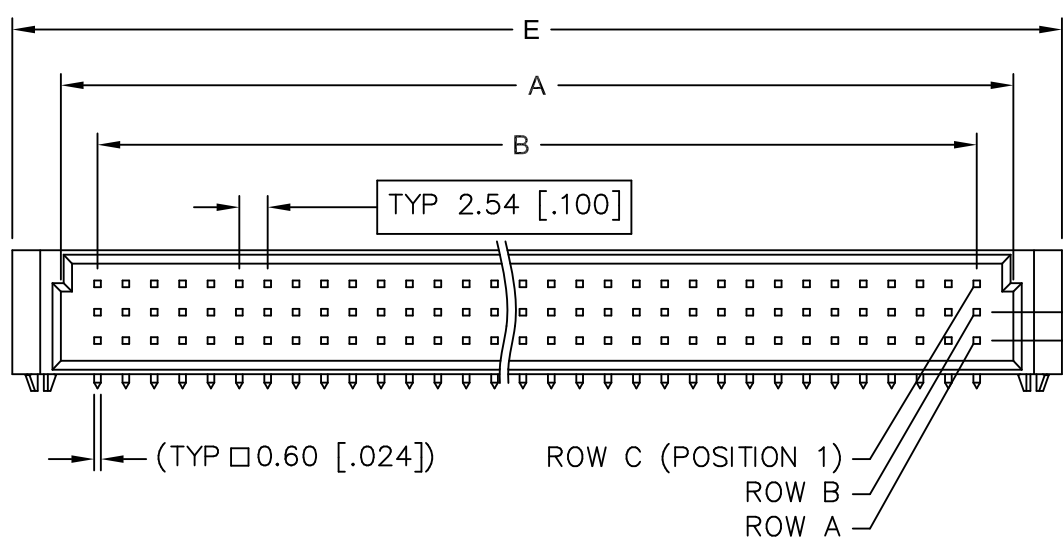
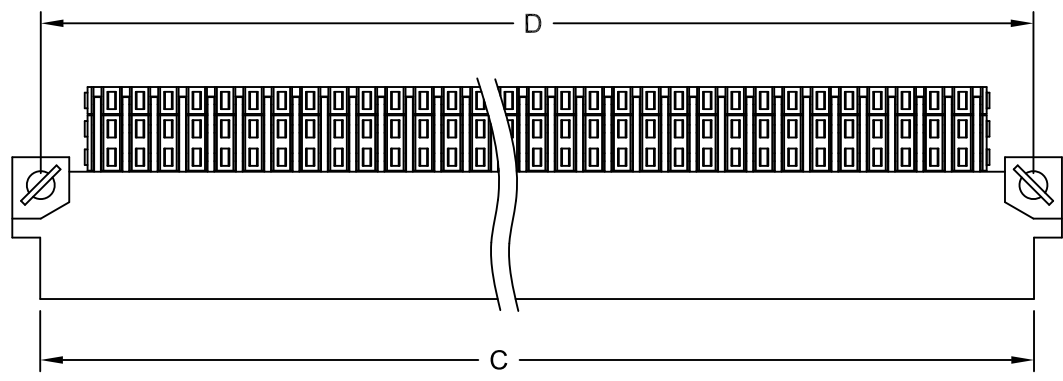


Rev	Description	Date	By
D	GENERAL UPDATE (ESR150527-DS-1)	05/27/15	JSC



MATERIALS:

HOUSING: HIGH TEMPERATURE THERMOPLASTIC, UL RATED 94-V0

CONTACT: COPPER ALLOY

MOUNTING CLIP: STEEL

SOLDER: SEE PART NUMBER DESCRIPTION

CONTACT FINISH:

INTERFACE AREA: SEE TABLE 1

SOLDER TAIL AREA: 100 MICROINCHES MIN PURE TIN

UNDERPLATE: 50 MICROINCHES MIN NICKEL

PERFORMANCE CHARACTERISTICS – MECHANICAL

DURABILITY: 400 CYCLES MINIMUM

OPERATING TEMP: -55°C TO +125°C

PERFORMANCE CHARACTERISTICS – ELECTRICAL

CONTACT RESISTANCE: 20 MILLIOHMS MAX INITIAL

CURRENT CAPACITY: 2 AMPS MAX PER CONTACT

DIELECTRIC STRENGTH: 1000V (RMS)

INSULATION RESISTANCE: 10,000 MEGAOHMS MIN

- NOTES: UNLESS OTHERWISE SPECIFIED
- 1 INTERPRET THIS DRAWING IN ACCORDANCE WITH ASME Y14.5M-1994
 - 2 PRODUCTS SHOWN ON THIS DRAWING CONFORMS TO ALL APPLICABLE DIN SPECIFICATIONS
 - 3 FOR OTHER SIZES, FINISHES OR ADDITIONAL DATA CONTACT TEKA'S CUSTOMER SERVICE DEPARTMENT

PIN	A	B	C	D	E MAX
96	85.40 [3.362]	78.74 [3.100]	87.50 [3.445]	88.90 [3.500]	94.00 [3.701]
48	44.76 [1.762]	38.10 [1.500]	46.86 [1.845]	48.26 [1.900]	53.36 [2.101]
30	29.51 [1.162]	22.86 [.900]	31.62 [1.245]	33.02 [1.300]	38.13 [1.501]

PART NUMBER DESCRIPTION

TD M R 3 A - 00

SERIES DESIGNATOR: TEKA DIN

GENDER: M - MALE, F - FEMALE

MATING CONFIGURATION: V - VERTICAL, R - RIGHT ANGLE

NUMBER OF ROWS: 3 - 3 ROW

POSITIONS PER ROW: 10, 16, 32

DESIGN VARIATION: 00 - STANDARD

SOLDER TYPE (FOR SELF SOLDERING): 0 - NO SOLDER, D - 63-37 TIN-LEAD W/ NO-CLEAN FLUX

BOARD LOCK: A - YES, B - NO

SOLDER TAIL LENGTH: A - .103 [2.62]

CONTACT FINISH DESIGNATION(TABLE 1)		
DESIGNATION	MATING ZONE	SOLDER TAIL
C	GOLD - FLASH	PURE TIN - 100 MICROINCHES
B	GOLD - 10 MICROINCHES	PURE TIN - 100 MICROINCHES
A	GOLD - 15 MICROINCHES	PURE TIN - 100 MICROINCHES
D	GOLD - 20 MICROINCHES	PURE TIN - 100 MICROINCHES
H	GOLD - 30 MICROINCHES	PURE TIN - 100 MICROINCHES

Unless otherwise specified: All dimensions are: mm [Inches]

-Tolerances-

No of places	MM	[IN]
one	±0.5	±.020
two	±0.10	±.008
three	±0.050	±.002

Angular ±2°

Drawn by: DW Date: 07/28/11

Checked by: HL Date: 08/15/11

Title: DIN MALE RIGHT ANGLE PLUG 30, 48 & 96 POSITION, ROHS COMPLIANT

Part No: TDMR3___A___-00

Ref No: S21310 Scale: 1.5:1 Sheet 1 of 1

TEKA
AN INTERPLEX INDUSTRIES CO.
100 PIONEER AVE
WARWICK, R.I. 02888
TEL: (401) 785-4110
FAX: (401) 781-5730
E-MAIL: sales@tekais.com
HTTP://WWW.TEKAS.COM