

Rev	Description	Date	By
A	INITIAL RELEASE	11/29/06	JSC

PART NUMBER DESCRIPTION

SERIES DESIGNATOR HC

NUMBER OF ROWS
1 - 1 ROW
2 - 2 ROW

POSITIONS PER ROW
02 - 40

OVER ALL LENGTH
A - .430 [10.92] E - .835 [21.21]
B - .455 [11.56] F - .485 [12.32]
C - .535 [13.59] G - .785 [19.94]
D - .635 [16.13] H - .570 [14.48]

DESIGN VARIATION
00 - STANDARD

MATING ORIENTATION
D - DUAL (BOTH ENDS)

POST HEIGHT
..... IN DECIMAL INCHES
(EX: .100 [2.54] = 1 0 0)

SOLDER TYPE (SAC 305)
N - NO-CLEAN FLUX
M - SOLID CORE
0 - NO SOLDER

MATING ZONE LENGTH
0 - NON-SELECTIVE

CONTACT FINISH DESIGNATION	
DESIGNATION	CONTACT FINISH
S	GOLD - FLASH
2	GOLD - 10 MICROINCHES
0	PURE TIN - 100 MICROINCHES
3	GOLD - 30 MICROINCHES

- NOTES: UNLESS OTHERWISE SPECIFIED
- INTERPRET THIS DRAWING IN ACCORDANCE WITH ASME Y14.5M - 1994
 - FOR OTHER SIZES, FINISHES, SOLDER VOLUMES OR ADDITIONAL DATA CONSULT TEKA CUSTOMER SERVICE DEPARTMENT
 - CONNECTOR SOLDER VOLUME BASED ON APPLICATION TO A .062±.007 [1.58±0.18] THICK PRINTED CIRCUIT BOARD
 - ALL TIN FINISHES ARE LOW STRESS / WHISKER MITIGATING

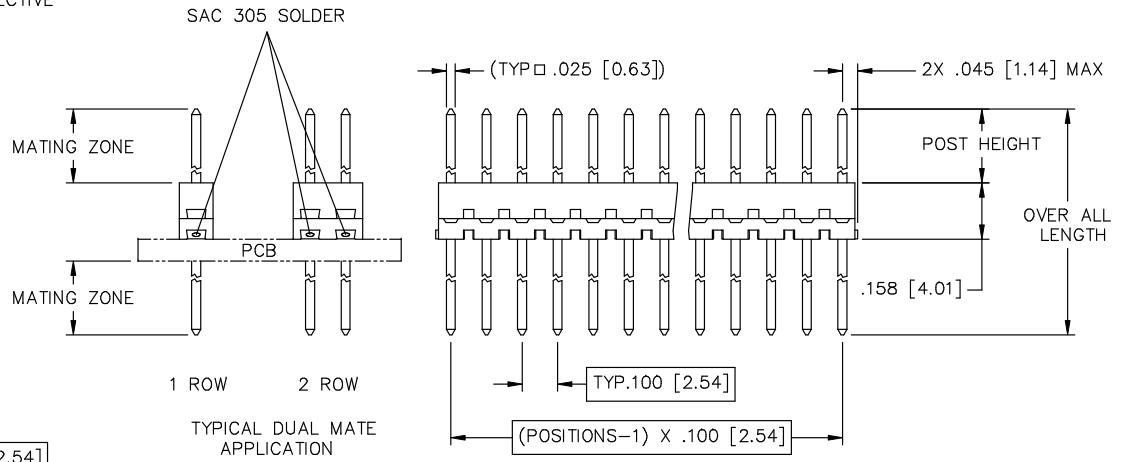
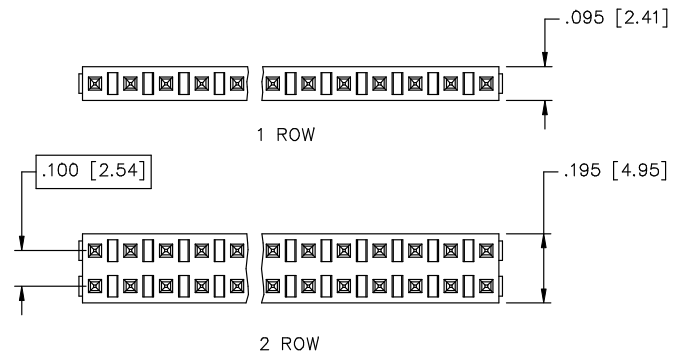
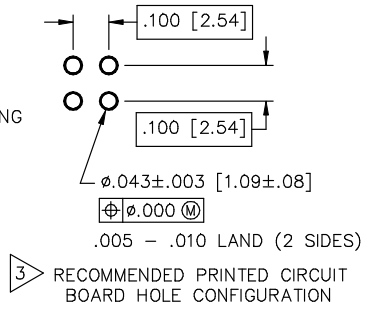
MATERIALS:


HOUSING: HIGH TEMPERATURE THERMOPLASTIC, UL RATED 94-V0

CONTACT: COPPER ALLOY

SOLDER: SEE PART NUMBER DESCRIPTION

CONTACT FINISH: (SEE PART NUMBER DESCRIPTION)



Unless otherwise specified: All dimensions are: Inches [mm]	Drawn by: J CACHINA	Date: 11/29/05	 AN INTERPLEX INDUSTRIES CO. 100 PIONEER AVE. WARWICK, R.I. 02888 TEL: (401) 785-4110 FAX: (401) 781-5730 E-MAIL: sales@teka.com
-Tolerances-	Checked by: JSC	Date: 11/29/05	
No of places IN [mm] one ±.1 ±2.54 two ±.02 ±0.5 three ±.010 ±0.25	Title: SB HEADER-.100 [2.54] PITCH, DUAL MATE (ROHS COMPLIANT)		Part No: HC _____-___D-00
Angular ±2°	Ref No: S20566	Scale: 3:1	Sheet 1 of 1