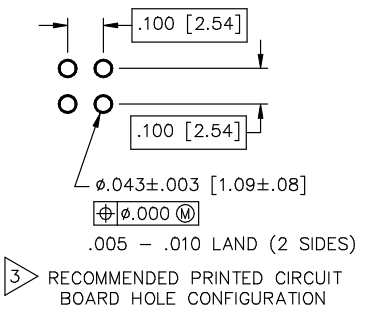


- NOTES: UNLESS OTHERWISE SPECIFIED
- 1 INTERPRET THIS DRAWING IN ACCORDANCE WITH ASME Y14.5M - 1994
  - 2 FOR OTHER SIZES, FINISHES, SOLDER VOLUMES OR ADDITIONAL DATA CONSULT TEKA CUSTOMER SERVICE DEPARTMENT
  - 3 CONNECTOR SOLDER VOLUME BASED ON APPLICATION TO A .0932±.0107 [2.36±0.25] THICK PCB
  - 4 UPPER SOLDER WAFER MUST CONTAIN NO-CLEAN FLUX TO ENABLE SOLDER PASS-THROUGH
  - 5 ALL TIN FINISHES ARE LOW STRESS / WHISKER MITIGATING

MATERIALS:  
 HOUSING: HIGH TEMPERATURE THERMOPLASTIC, UL RATED 94-VO  
 CONTACT: COPPER ALLOY  
 SOLDER: SEE PART NUMBER DESCRIPTION  
 CONTACT FINISH: SEE PART NUMBER DESCRIPTION



PART NUMBER DESCRIPTION

SERIES DESIGNATOR: HR  
 HEADER R/A - .100

NUMBER OF ROWS: 1 - 1 ROW, 2 - 2 ROW

POSITIONS PER ROW: 02 - 36

POST LENGTH: A - .230 [5.84]

MATING ZONE LENGTH: 1 - .165 [4.19]

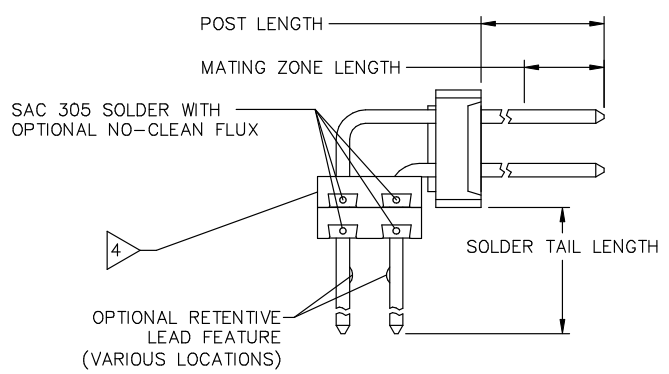
DESIGN VARIATION: H0 - HIGH SOLDER VOLUME

SOLDER TAIL STYLE: S - STRAIGHT, R - RETENTIVE

SOLDER TYPE (SAC 305): N - NO-CLEAN FLUX, M - SOLID CORE

SOLDER TAIL LENGTH: B - .136 [3.45]

CONTACT FINISH DESIGNATION		
DESIGNATION	MATING ZONE	SOLDER TAIL
B	GOLD - 10 MICROINCHES	PURE TIN - 100 MICROINCHES



Unless otherwise specified: All dimensions are: Inches [mm]	Drawn by: J CACHINA	Date: 09/21/05	 AN INTERPLEX INDUSTRIES CO. 100 PIONEER AVE. WARWICK, R.I. 02888 TEL: (401) 785-4110 FAX: (401) 781-5730 E-MAIL: sales@teka.com
-Tolerances-	Checked by: JSC	Date: 09/21/05	
No of places IN [mm]	Title: R/A SB HEADER - .100 [2.54] PITCH, HIGH VOLUME (ROHS COMPLIANT)		Part No: HR___A1BB-___H0
one ±.1 ±2.54	Ref No: S20564		Scale: 3:1
two ±.02 ±0.5			Sheet 1 of 1
three ±.010 ±0.25			
Angular ±2°			