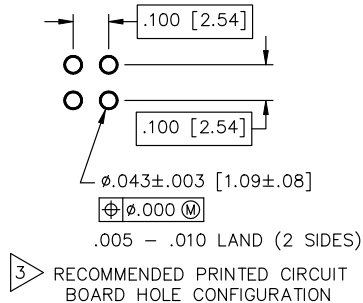


NOTES: UNLESS OTHERWISE SPECIFIED

- 1 INTERPRET THIS DRAWING IN ACCORDANCE WITH ASME Y14.5M - 1994
- 2 FOR OTHER SIZES, FINISHES, SOLDER VOLUMES OR ADDITIONAL DATA CONSULT TEKA CUSTOMER SERVICE DEPARTMENT
- 3 CONNECTOR SOLDER VOLUME BASED ON APPLICATION TO A .062±.007 [1.58±0.18] THICK PRINTED CIRCUIT BOARD
- 4 ALL TIN FINISHES ARE LOW STRESS / WHISKER MITIGATING

MATERIALS:

HOUSING: HIGH TEMPERATURE THERMOPLASTIC, UL RATED 94-V0
 CONTACT: COPPER ALLOY
 SOLDER: SEE PART NUMBER DESCRIPTION
 CONTACT FINISH: SEE PART NUMBER DESCRIPTION

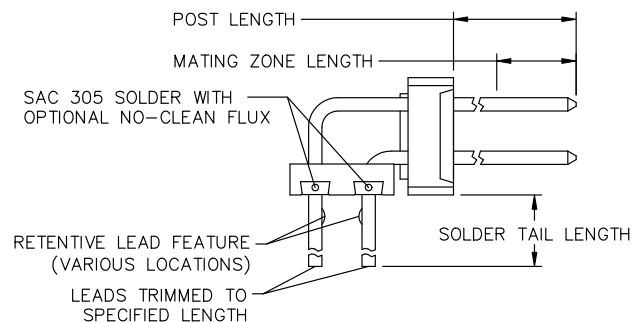



PART NUMBER DESCRIPTION

SERIES DESIGNATOR: ZR
 HEADER R/A - .100
 NUMBER OF ROWS: 1 - 1 ROW, 2 - 2 ROW
 POSITIONS PER ROW: 02 - 36
 POST LENGTH: A - .230 [5.84], B - .320 [8.13]
 MATING ZONE LENGTH: 1 - .165 [4.19]

DESIGN VARIATION: 00 - STANDARD
 SOLDER TAIL STYLE: S - STRAIGHT, R - RETENTIVE
 SOLDER TYPE (SAC 305): N - NO-CLEAN FLUX, M - SOLID CORE
 SOLDER TAIL LENGTH: C - .075 [1.90]

CONTACT FINISH DESIGNATION 4		
DESIGNATION	MATING ZONE	SOLDER TAIL
C	GOLD - FLASH	PURE TIN - 100 MICROINCHES
B	GOLD - 10 MICROINCHES	PURE TIN - 100 MICROINCHES
H	GOLD - 30 MICROINCHES	PURE TIN - 100 MICROINCHES
0	PURE TIN - 100 MICROINCHES	PURE TIN - 100 MICROINCHES



Unless otherwise specified: All dimensions are: Inches [mm]	Drawn by: J CACHINA	Date: 09/15/05	 AN INTERPLEX INDUSTRIES CO. 100 PIONEER AVE WARWICK, R.I. 02888 TEL: (401) 785-4110 FAX: (401) 781-5730 E-MAIL: sdes@teka.com
-Tolerances-	Checked by: JSC	Date: 09/15/05	
No of places IN [mm]	Title: R/A SB HEADER - .100 [2.54] PITCH (ROHS COMPLIANT)		Part No: ZR____1____-00
one ±.1 ±2,54	Ref No: S20554		Scale: 3:1
two ±.02 ±0,5	Sheet 1 of 1		
three ±.010 ±0,25			
Angular ±2°			