

Rev	Description	Date	By
A	INITIAL RELEASE	12/17/08	JSC

PART NUMBER DESCRIPTION

SVC 2 405 538 - 0

SERIES DESIGNATOR: SVC - SHROUDED VERT HDR
.100 SPACING

DESIGN VARIATION: 0 - STANDARD

SOLDER TAIL LENGTH: .538 [13.67] (AS SHOWN)

NUMBER OF ROWS: 2 - 2 ROW

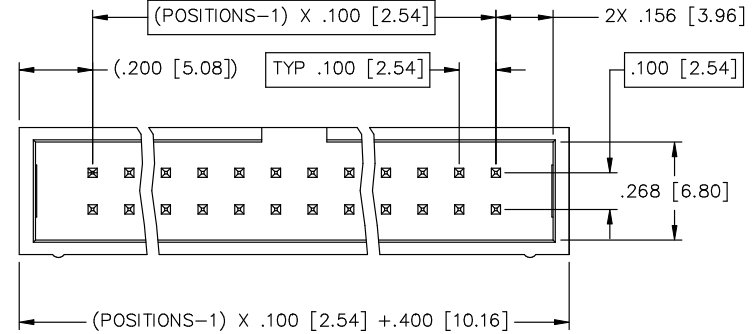
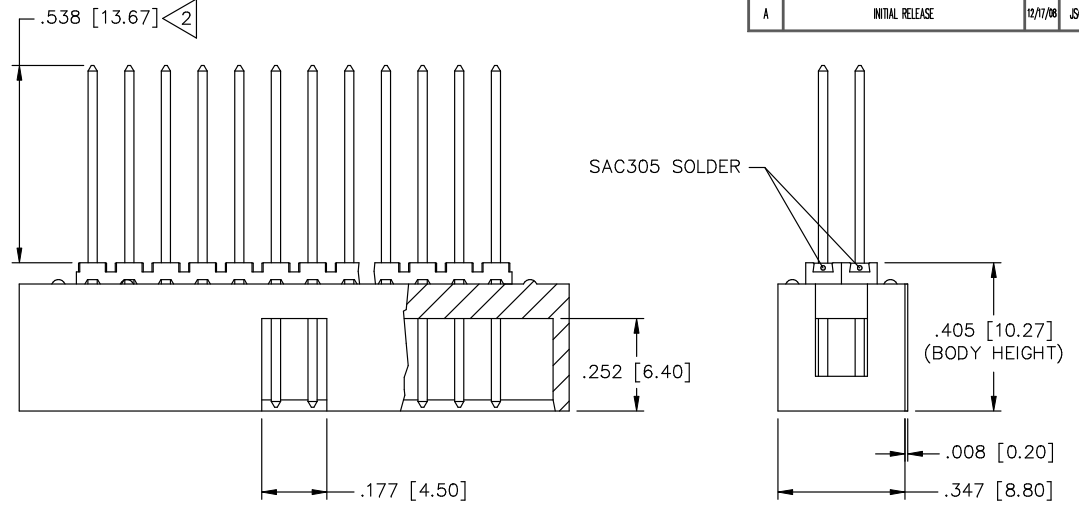
SOLDER TYPE (SAC305):
N - NO-CLEAN FLUX
M - SOLID CORE

POSITIONS PER ROW: 05, 08, 10, 12, 13, 17, 20, 25, 30, 32

BODY HEIGHT: .405 [10.27] (AS SHOWN)

CONTACT FINISH DESIGNATION $\triangleleft 2 \triangleleft 4$

DESIGNATION	MATING ZONE	SOLDER TAIL
B	GOLD - 10 MICROINCHES	PURE TIN - 100 MICROINCHES
C	GOLD - FLASH	PURE TIN - 100 MICROINCHES
S	GOLD - FLASH	GOLD - FLASH
2	GOLD - 10 MICROINCHES	GOLD - 10 MICROINCHES



NOTES: UNLESS OTHERWISE SPECIFIED

- 1 INTERPRET THIS DRAWING IN ACCORDANCE WITH ASME Y14.5M - 1994
- 2 FOR OTHER SIZES, FINISHES, SOLDER TAIL LENGTHS OR ADDITIONAL DATA CONSULT TEKA CUSTOMER SERVICE
- 3 CONNECTOR SOLDER VOLUME BASED ON APPLICATION TO A .062±.007 [1.58±0.18] THICK PRINTED CIRCUIT BOARD
- 4 ALL PURE TIN FINISHES ARE LOW STRESS / WHISKER MITIGATING.

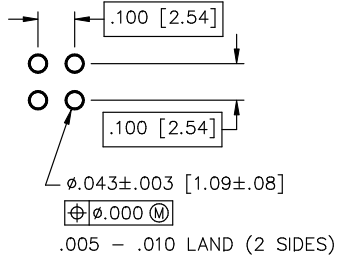
MATERIALS:

HOUSING: HIGH TEMPERATURE THERMOPLASTIC, UL RATED 94-V0


CONTACT: COPPER ALLOY

SOLDER: SEE PART NUMBER DESCRIPTION

CONTACT FINISH: (SEE PART NUMBER DESCRIPTION)



3 RECOMMENDED PRINTED CIRCUIT BOARD HOLE CONFIGURATION

Unless otherwise specified: All dimensions are: Inches [mm]	Drawn by: J CACHINA	Date: 12/17/08	 AN INTERPLEX INDUSTRIES CO. 100 PIONEER AVE WARWICK, R.I. 02888 TEL: (401) 785-4110 FAX: (401) 781-5730 E-MAIL: sales@teka.com
-Tolerances-	Checked by: JSC	Date: 12/17/08	
No of places IN [mm]	Title: SB SHRD VERT HDR - .100 [2.54] PITCH (ROHS COMPLIANT)		Part No: SVC2___405_538-0
one ±.1 ±2.54	Ref No: S20821		Scale: 3:1 Sheet 1 of 1
two ±.02 ±0.5			
three ±.010 ±0.25			
Angular ±2°			