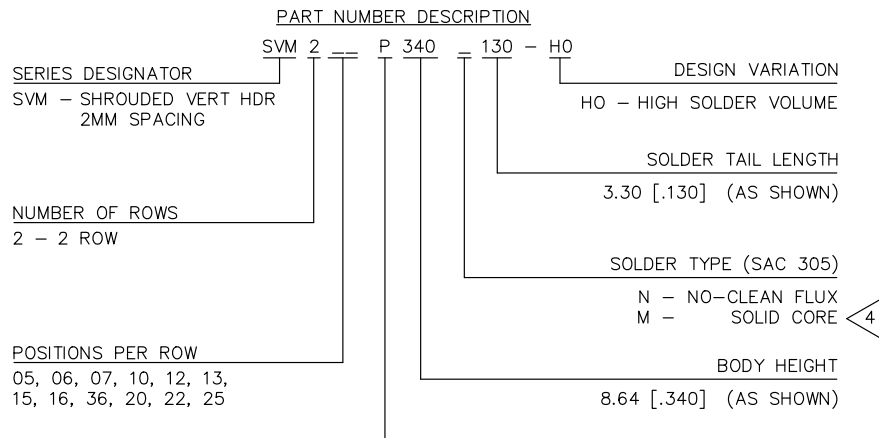


Rev	Description	Date	By
A	INITIAL RELEASE	05/15/05	JSC



CONTACT FINISH DESIGNATION		
DESIGNATION	MATING ZONE	SOLDER TAIL
B	GOLD - 10 MICROINCHES	PURE TIN - 100 MICROINCHES

NOTES: UNLESS OTHERWISE SPECIFIED

- INTERPRET THIS DRAWING IN ACCORDANCE WITH ASME Y14.5M - 1994
- FOR OTHER SIZES, FINISHES, SOLDER VOLUMES OR ADDITIONAL DATA CONSULT TEKA CUSTOMER SERVICE DEPARTMENT
- CONNECTOR SOLDER VOLUME BASED ON APPLICATION 2.36 ± 0.25 [.093 ± .010] PCB
- UPPER WAFER REQUIRED TO CONTAIN NO CLEAN FLUX IN ORDER TO ENABLE SOLDER PASS-THROUGH
- ALL TIN FINISHES ARE LOW STRESS / WHISKER MITIGATING

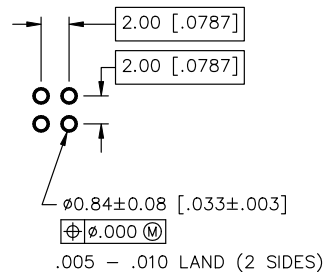
MATERIALS:

HOUSING: HIGH TEMPERATURE THERMOPLASTIC,
UL RATED 94-V0

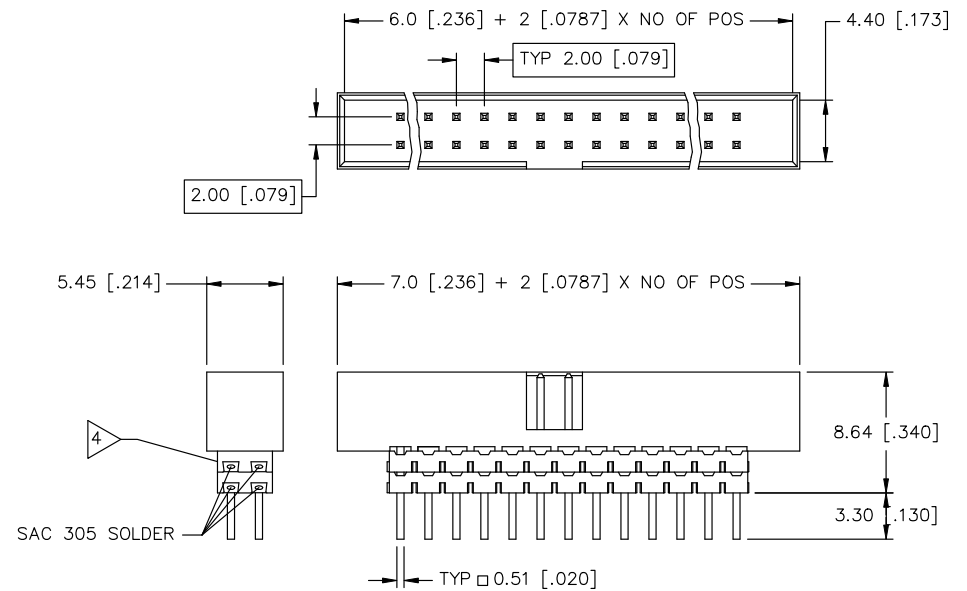
CONTACT: COPPER ALLOY


SOLDER: SEE PART NUMBER DESCRIPTION

CONTACT FINISH: (SEE PART NUMBER DESCRIPTION)



RECOMMENDED PRINTED CIRCUIT BOARD HOLE CONFIGURATION



Unless otherwise specified: All dimensions are: mm [Inches]	Drawn by: J CACHINA	Date: 05/15/05	 AN INTERPLEX INDUSTRIES CO. 100 PIONEER AVE. WARWICK, R.I. 02888 TEL: (401) 785-4110 FAX: (401) 781-5730 E-MAIL: sdes@teka.com
-Tolerances-	Checked by: JSC	Date: 05/15/05	
No of places	Title: SB 2MM SHROUDED VERT HDR (ROHS COMPLIANT)		Part No: SVM2__B340_130-HO
one $\pm 0,5$ ± 0.020	Ref No: S20550		Scale: 3:1
two $\pm 0,25$ ± 0.010			Sheet 1 of 1
three $\pm 0,13$ ± 0.005			
Angular $\pm 2^\circ$			