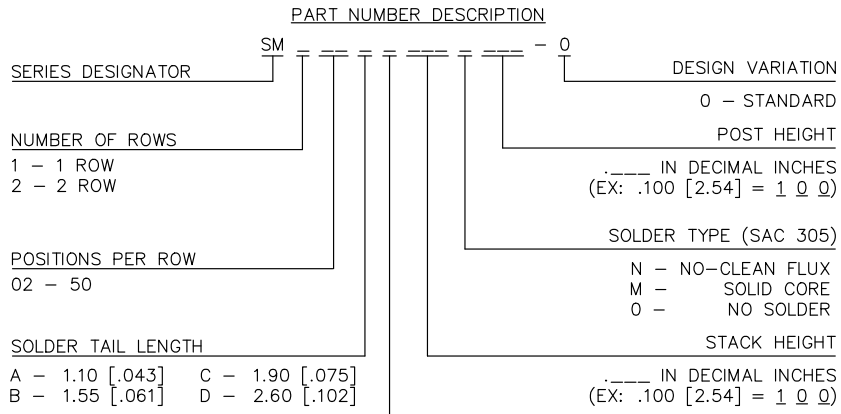


Rev	Description	Date	By
A	INITIAL RELEASE	09/15/05	JSC



CONTACT FINISH DESIGNATION		
DESIGNATION	MATING ZONE	SOLDER TAIL
S	GOLD - FLASH	GOLD - FLASH
2	GOLD - 10 MICROINCHES	GOLD - 10 MICROINCHES
C	GOLD - FLASH	PURE TIN - 100 MICROINCHES
B	GOLD - 10 MICROINCHES	PURE TIN - 100 MICROINCHES
H	GOLD - 30 MICROINCHES MIN	PURE TIN - 100 MICROINCHES
0	PURE TIN - 100 MICROINCHES	PURE TIN - 100 MICROINCHES

- NOTES: UNLESS OTHERWISE SPECIFIED
- 1 INTERPRET THIS DRAWING IN ACCORDANCE WITH ASME Y14.5M - 1994
 - 2 FOR OTHER SIZES, FINISHES, SOLDER VOLUMES OR ADDITIONAL DATA CONSULT TEKA CUSTOMER SERVICE DEPARTMENT
 - 3 CONNECTOR SOLDER VOLUME BASED ON APPLICATION TO A 1.58 ± 0.18 [.062 ± .007] THICK PRINTED CIRCUIT BOARD
 - 4 INDICATED DIMENSION APPLICABLE TO SELECTIVE CONTACT FINISHES ONLY
 - 5 ALL TIN FINISHES ARE LOW STRESS / WHISKER MITIGATING

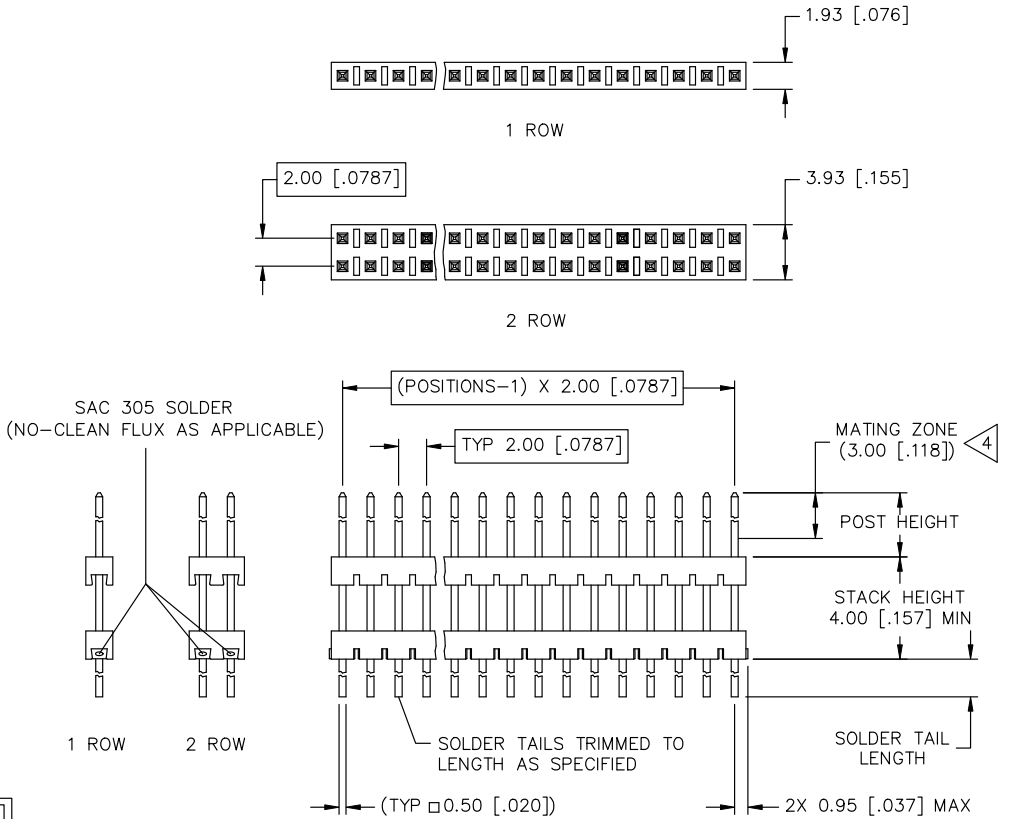
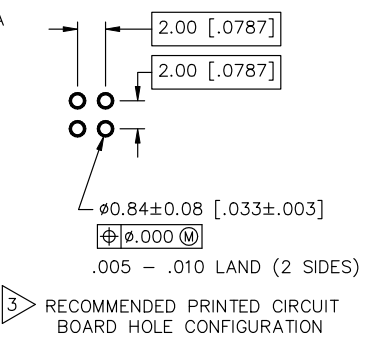
MATERIALS:


HOUSING: HIGH TEMPERATURE THERMOPLASTIC, UL RATED 94-V0

CONTACT: COPPER ALLOY

SOLDER: SEE PART NUMBER DESCRIPTION

CONTACT FINISH: (SEE PART NUMBER DESCRIPTION)



Unless otherwise specified: All dimensions are: mm [Inches]	Drawn by: J CACHINA	Date: 09/15/05	 AN INTERPLEX INDUSTRIES CO. 100 PIONEER AVE. WARWICK, R.I. 02888 TEL: (401) 785-4110 FAX: (401) 781-5730 E-MAIL: sdes@teka.com
-Tolerances-	Checked by: JSC	Date: 09/15/05	
No of places	Title: SB STACKED HEADER (MOD) - 2.00 MM PITCH (ROHS COMPLIANT)		Part No: SM-----0
one $\pm 0,5$ ± 0.020	Ref No: S20555		Scale: 3:1
two $\pm 0,25$ ± 0.010	Sheet 1 of 1		
three $\pm 0,13$ ± 0.005			
Angular $\pm 2^\circ$			